


Wireless roller shutters switch

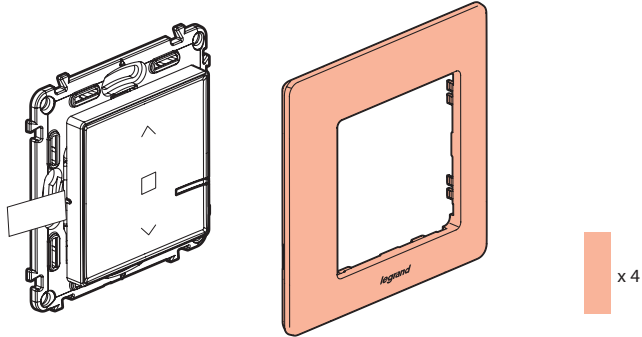
7 521 91 - 7 522 91 - 7 523 91



This pack is a connected accessory which **requires** you to buy and install the connected starter pack and one or more Valena Life with Netatmo connected switches for roller shutters first.

 This product only controls Valena Life with Netatmo connected switches for roller shutters.

Pack contents



Wireless roller shutters switch

Finishing plate

Removable stickers
x 4

Frequency bands: 2.4 - 2.4835 GHz

Power level: < 100 mW



www.legrand.fr

LEGRAND - Pro and Consumer Service - BP 30076
87002 LIMOGES CEDEX FRANCE • www.legrand.com

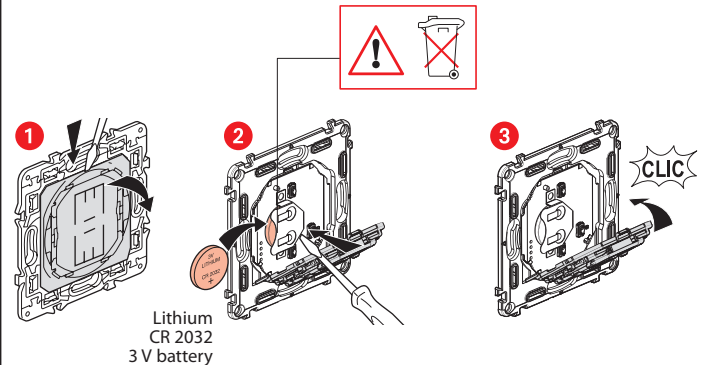
LE10740AA

Install the wireless roller shutters switch

To pair the wireless roller shutters switch with your connected installation, you should follow the instructions:

- in the **user guide in your connected starter pack**
- in the **Legrand Home + Control application (Settings/Add a new product section)**
- or consult the user manual on legrand.fr

Replacing the battery



SIMPLIFIED EU DECLARATION OF CONFORMITY

The undersigned,

Legrand

declares that the radio-electric equipment referred to in these instructions complies with directive 2014/53/EU.

The full text of the EU declaration of conformity is available on the following website:

www.legrandoc.com