

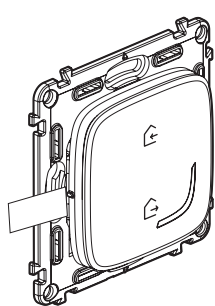
Home/Away wireless switch

7 525 86 - 7 526 86 - 7 527 86 - 7 528 86 - 7 529 86

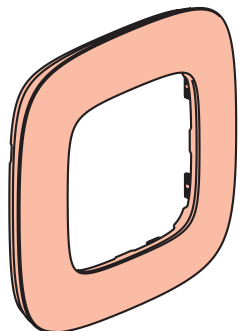


This pack is a connected accessory which **requires** you to buy and install the starter pack and Valena Allure with Netatmo outlets, switches (with dimmer option) and/or connected lighting micromodules first.

Pack contents



Home/Away wireless switch



Finishing plate



Removable stickers x 4

Frequency bands: 2.4 - 2.4835 GHz
Power level: < 100 mW



www.legrand.fr

LEGRAND - Pro and Consumer Service - BP 30076
87002 LIMOGES CEDEX FRANCE • www.legrand.com

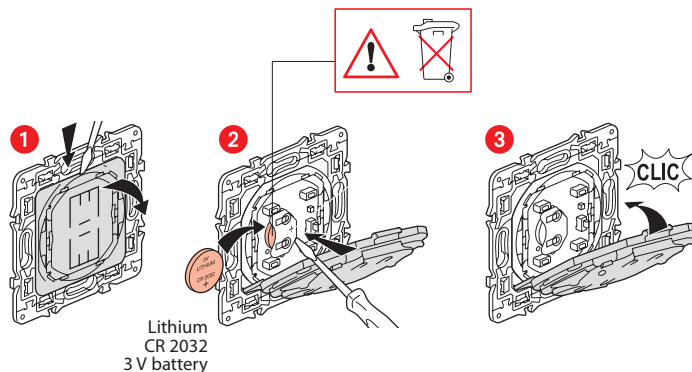
LE10745AA

Install the Home/Away wireless switch

To add the Home/Away wireless switch to your connected installation, you should follow the instructions:

- in the **user guide in your connected starter pack**
- in the **Legrand Home + Control application (Settings/Add a new product section)**
- or consult the user manual on legrand.fr

Replacing the battery



SIMPLIFIED EU DECLARATION OF CONFORMITY

The undersigned,

Legrand

declares that the radio-electric equipment referred to in these instructions complies with directive 2014/53/EU.

The full text of the EU declaration of conformity is available on the following website:

www.legrandoc.com